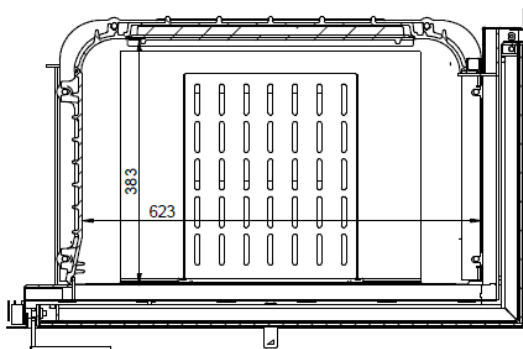
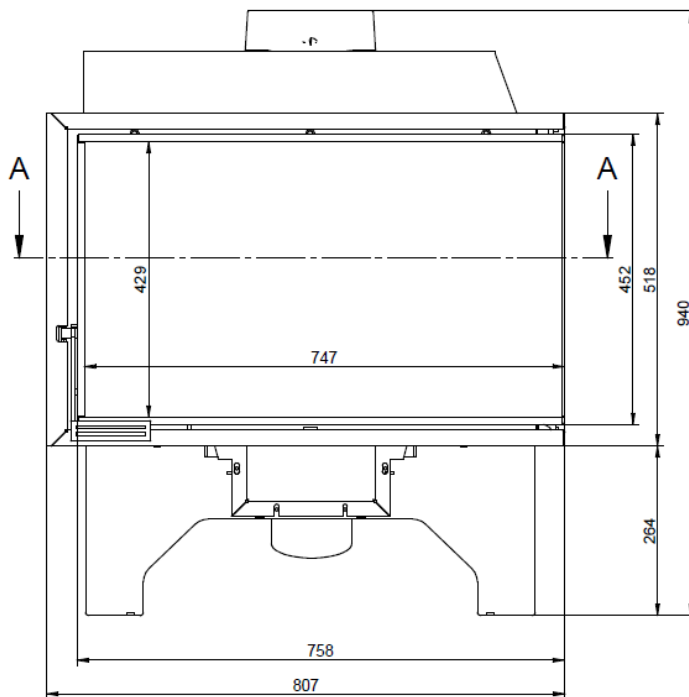
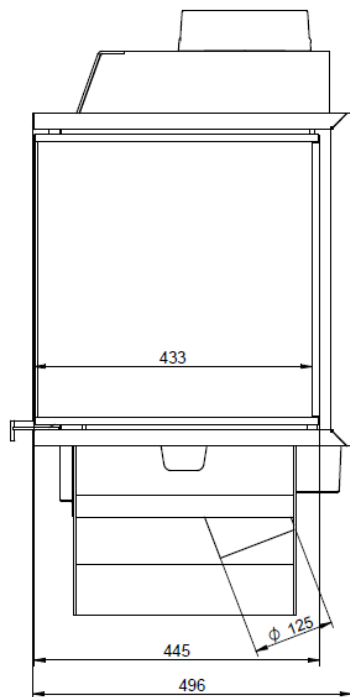




KFD ECO iLUX 90+ R

Technical data
Version **01/2018**

HEATING & TECHNICAL PARAMETERS:		
energy efficiency class	A-B-C-D-E-F-G	A
direct heat output (nominal power)	[kW]	11,7
heating power range	[kW]	6 - 14
energy efficiency index	[EEI]	103
energy efficiency at nominal heat output	[%]	77,2
seasonal space heating energy efficiency	[%]	68,2
CO emission at 13% O ₂	[%]	0,09
	[mg/Nm ³]	1173
dust emission at 13% O ₂	[mg/Nm ³]	26
OGC at 13% O ₂	[mg/Nm ³]	no data
NO _x emission at 13% O ₂	[mg/Nm ³]	no data
flue gas mass flow	[g/s]	9,97
average smoke temperature at smoke outlet	[°C]	318
minimum chimney draft	[Pa]	12
DIMENSIONS & WIGHT		
total dimensions, height x width x depth	[mm]	940 x 807 x 496
fascade dimensions, width x height	[mm]	807 x 518
front glass dimensions, width x height	[mm]	750 x 443
side glass diemnsions, width x height	[mm]	434 x 443
maximum log lenght	[cm]	60
smoke flue diameter	[mm]	180
air inlet diameter	[mm]	125
weight	[kg]	140
CERTIFICATES AND NORMS		
EN 13229	V / -	V
declaration of the Ecodesign requirements	V / -	V
BImSchV level 2	V / -	V
15a BVG	V / -	V
ADDITIONAL INFORMATION		
for continous burning	V / -	V
preffered type of fuel		wood logs with moisture content ≤ 20 %
minimum supply air grating cross-section	cm ²	700
minimum outgoing air grating cross-section	cm ²	980
ashpan	V / -	V
appliance suitable for low energy and passive	V / -	-
door opening		side
possibility of burning with open door	V / -	-
warranty	years	5



SECTION A-A

